

SANITRON[®]

ULTRAVIOLET WATER PURIFIERS

Models S17A, S23A, S37C & S50C

Read and Follow All Safety Instructions. Save These Instructions.



Installation, Operation & Maintenance

ATLANTIC  **ULTRAVIOLET**
CORPORATION[®]

SINCE 1963

Manufacturers / Engineers / Sales / Service
Germicidal Ultraviolet - Equipment & Lamps

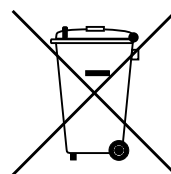
375 Marcus Boulevard • Hauppauge, NY 11788
631.273.0500 • Fax: 631.273.0771
Email: info@Ultraviolet.com
Ultraviolet.com • BuyUltraviolet.com

Extensive Product Information Available at:

ultraviolet.com
buyultraviolet.com



Model S37C is
available with CE
Certification



Certified to
NSF/ANSI 61 & 372

Models S37C and S50C

Owner's Manual

TABLE OF CONTENTS

SAFETY WARNINGS	3
SAFETY INSTRUCTIONS	3
SAFETY LABELING	3
CAUTION	3
PRODUCT APPLICATION	4
CONSTRUCTION	4
PRINCIPLE OF OPERATION	4
LIMITATION OF USE	4
WATER QUALITY	4
INSTALLATION	5
LOCATION	5
DIMENSIONAL DATA	5
RECOMMENDED INSTALLATION	6
INITIAL INSTALLATION OF QUARTZ SLEEVE MODEL S50C	7-8
RECOMMENDED OPTIONS	9
OPTIONAL ACCESSORIES	10
MAINTENANCE	10
INSPECTION	10
DISPOSAL OF MERCURY ADDED LAMP	11
LAMP INSTALLATION OR REPLACEMENT	11
QUARTZ SLEEVE CLEANING USING WIPER MECHANISM	12
QUARTZ SLEEVE INSTALLATION OR REPLACEMENT	13
REPLACEMENT OF BROKEN QUARTZ SLEEVE	14
CLEANING OF OPTIONAL GUARDIAN™ ULTRAVIOLET MONITOR SENSOR PROBE	15
TROUBLESHOOTING	16
TECHNICAL SPECIFICATIONS	17
REPLACEMENT PARTS	18-21
SANITRON® MODELS S17A & S23A	18-19
SANITRON® MODELS S37C & S50C	20-21
MAINTENANCE NOTES	22-23
USER ASSISTANCE	24
PATENT NOTICE	24
WARRANTY & PRODUCT REGISTRATION	24

These instructions generally describe the installation, operation and maintenance of the **SANITRON®** line of water purifiers, Models S17A, S23A, S37C and S50C. Questions that are not specifically answerable by these instructions should be directed to the Factory. Atlantic Ultraviolet Corporation® takes all possible precautions when packaging equipment to prevent damage. Carefully inspect and report all damages. Do not install damaged equipment. Follow all instructions on any labels or tags. Carefully inspect all packing materials before discarding to prevent the loss of accessories, mounting hardware, spare parts or instructions.


NSF/ANSI 61 is a set of national standards that relates to water treatment and establishes stringent requirements for the control of equipment that comes in contact with either potable water or products that support the production of potable water. NSF/ANSI 372 was set in 2011 to establish procedures to meet the 0.25% lead content requirement of the RLDWA (Reduction of Lead in Drinking Water Act) using a wetted surface area average calculation or just simply using all no-lead materials for areas in contact with drinking water. NSF/ANSI 372 includes a broader scope of drinking water products covered by the law which may not be covered under NSF/ANSI 61 and enables large or complex products and assemblies to achieve certification.


The information and recommendations contained in this publication are based upon data collected by the Atlantic Ultraviolet Corporation® and are believed to be correct. However, no guarantee or warranty of any kind, expressed or implied, is made with respect to the information contained herein. Specifications and information are subject to change without notice.





SAFETY WARNINGS


- All personnel should be alerted to the potential hazards indicated by the product safety labeling on this purifier.
- The following conventions are used to indicate and classify precautions in this manual and on product safety labeling. Failure to observe precautions could result in injury to people or damage to property.

 This is the safety alert symbol. It is used to alert you to potential personal injury hazards. Obey all safety messages that follow this symbol to avoid possible injury or death.

 **DANGER** Danger indicates an **IMMINENTLY** hazardous situation, which, if not avoided, **WILL** result in death or serious injury.


 **WARNING** Warning indicates a **POTENTIALLY** hazardous situation, which, if not avoided, **COULD** result in death or serious injury.


 **CAUTION** Caution indicates a **POTENTIALLY** hazardous situation, which, if not avoided, **MAY** result in minor or moderate injury.


 **CAUTION** Caution used without the safety alert symbol indicates a potentially hazardous situation, which, if not avoided, may result in property damage.


 This symbol/pictorial is used to identify an **ELECTRICAL SHOCK** or **ELECTROCUTION** hazard.

 This symbol/pictorial is used to identify an **ULTRAVIOLET LIGHT** hazard.

 This symbol/pictorial is used to identify the need to wear approved ultraviolet blocking eyewear.





 This symbol/pictorial is used to identify the need to wear approved ultraviolet blocking face shield.

 This symbol/pictorial is used to identify the need to wear protective gloves.

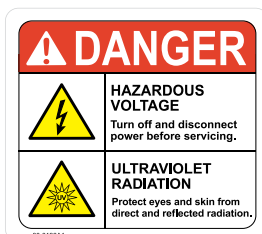
 This symbol/pictorial is used to identify components which must not be disposed of in trash

SAFETY INSTRUCTIONS

 **WARNING** To guard against injury, basic safety precautions should be observed, including the following:

1. Read and follow **ALL** safety instructions.
2. Do not use this water purifier for other than its intended purpose as described in this manual.
3. Do not alter design or construction.
4. Do not remove any labels or devices.
5.  **DANGER** To prevent the risk of severe or fatal electrical shock, special precautions must be taken since water is present near electrical equipment. **Always disconnect power before performing any service or maintenance.**
6.  **WARNING** Avoid exposure to direct or reflected germicidal ultraviolet rays. Germicidal ultraviolet rays are harmful to the eyes and skin.
7. Intended for indoor use only. The water purifier should be protected from the elements and from temperatures below freezing.
8. Do not operate water purifier if lamp cable, lamp connection, power cord and/or plug are damaged, or if any other damage to the water purifier is visible or suspected
9. Electrical power supplied, to the water purifier, **MUST** match power requirements listed on the water purifier.
10.  **WARNING** Plug the water purifier only into an approved ground fault circuit interrupt (GFCI) receptacle.
11.  **WARNING** Do not operate without proper electrical ground.
12. Do not exceed water purifier's maximum rated flow capacity.
13. Do not exceed maximum operating pressure of 100 PSI.
14. Read and follow all notices and warnings on the water purifier.
15. **SAVE THESE INSTRUCTIONS.**

SAFETY LABELS



Danger Label: Hazardous Voltage and Ultraviolet Radiation (00-0196A1)



Location of Danger Label (00-0196A1)

CAUTION

It is the user's responsibility to determine and validate the suitability of this equipment for use in the user's system or process.

No warranty or representation is made by the manufacturer with respect to suitability or performance of this equipment or to the results that may be expected from its use.

The user should periodically inspect, clean as necessary and confirm the presence and good legibility of the product safety labels. Contact the factory for replacement labels in the event that any of the labels are missing or illegible.

PRODUCT APPLICATION

CONSTRUCTION

- The water purifier is designed to mount horizontally.
- The water purifier's removable chamber head design facilitates ease of maintenance. A drain port on the chamber aids in draining of the purifier.
- The water purifier's chamber and chamber head are passivated and electropolished type 316 Stainless Steel.
- The ballast housing is a combination of Stainless Steel Type 304 and Aluminum Alloy.
- Coated chambers are available for uses with special applications, consult Factory. Coated chambers are not recommended for use in drinking water applications or in applications where the treated product is consumed.
- The dual action wiper mechanism allows for quick and easy quartz sleeve cleaning, without interrupting service.
- **EASY-OFF™** End Caps enable quick and easy lamp change, without disconnecting from the water supply or draining the purifier. No tools are required. **Always disconnect electrical power when changing lamp.**

PRINCIPLE OF OPERATION

The **SANITRON®** design has been carefully conceived to provide adequate germicidal dosage throughout the disinfection chamber. The dosage, as it applies to ultraviolet disinfection, is a function of time and the intensity of ultraviolet radiation to which the water is exposed. The exposure time, in seconds, is the total time it takes the water to flow through the disinfection chamber exposing it to the germicidal lamp. Exposure time is related to the flow rate; the higher the flow rate, the lower the exposure time or the lower the flow rate, the higher the exposure time. The ultraviolet intensity is the amount of energy, per unit time, emitted by the germicidal lamp. The dosage is the product of ultraviolet intensity and the exposure time. The operation of the **SANITRON®** is as follows:

- Water enters the purifier and flows into the annular space between the quartz sleeve and the chamber wall.
- Suspended microorganisms are exposed to the ultraviolet rays emitted by the germicidal lamp.
- The translucent sight port, or optional ultraviolet monitor, provides visual indication of germicidal lamp operation.
- The dual action wiper mechanism facilitates periodic cleaning of the quartz sleeve without disassembly or interruption of purifier operation.
- Water leaving the purifier is instantly ready for use, no further contact time is required.

LIMITATION OF USE

The water purifier is intended for the use with visually clear water, not colored, cloudy or turbid. See “**Water Quality**” section below. The water purifier is **NOT** intended for the treatment of water that has an obvious contamination or intentional source, such as raw sewage; nor is the purifier intended to convert wastewater to microbiologically safe drinking water.

WATER QUALITY

Water quality plays a major role in the transmission of germicidal ultraviolet rays. It is recommended that the water does not exceed the following maximum concentration levels:

Table 1 - Maximum Concentration Levels

Turbidity	< 1 NTU
Manganese	0.05 mg/l
Total Suspended Solids	10 mg /l
pH:	6.5 - 9.5
Color:	None
Hardness	6 GPG or 102.6 PPM
Iron	0.3 mg/l
Tannins:	< 0.1 ppm (0.1 mg/l)
UV Transmission	>85% per cm*

* Contact Factory for recommendations on applications where UV transmission is < 85%

Effectively treating water with higher concentration levels than listed above can be accomplished, but may require added measures to improve water quality to treatable levels. If, for any reason, it is believed the ultraviolet transmission is not satisfactory, contact the factory.

INSTALLATION

LOCATION

1. The water purifier is intended for indoor use only. The water purifier is designed to mount horizontally. The water purifier should be protected from the elements and from temperatures below freezing. The ambient temperature, in the area surrounding the water purifier, should be between 35° F and 100° F.
2. Electrical power supplied to the water purifier **MUST** match power requirements listed on the water purifier. Use of a voltage surge protector is recommended.
3. **CAUTION** Plug water purifier only into an approved ground fault circuit interrupt (GFCI) receptacle.
4. The water purifier should be located in a dry, well-lit area, which provides enough room to perform routine maintenance. This includes a minimum distance of one chamber length from the wiper end, to allow for cleaning and/or the changing of the lamp and quartz sleeve as well as a minimum of 6" on the opposite end of the water purifier. Minimum clearance to floor 18".
5. The water purifier should always be located closest to the point of use. This reduces the chance of the purified water being re-contaminated by bacteria in the water distribution system after the water purifier.
6. **CAUTION** As with any water handling device, the water purifier should be located in an area where any possible condensation or leakage from the water purifier, any purifier accessory and/or plumbing will not result in damage to the area surrounding the water purifier. **For added protection, it is recommended that a suitable drain pan be installed under the purifier. The drain pan must be plumbed to an adequate, free flowing drain to prevent water damage in event of a leak. There are numerous leak detection/flood stop devices, available on the market today, designed to stop flow of water, reducing the chance of water damage due to leakage. For more details regarding leak prevention and/or limiting damages due to leaks please contact factory.**
7. The water purifier should be located after all other water devices, such as De-ionizers, Water Softeners, Carbon Filters, Pre-Filters, Reverse Osmosis, Pressure Tanks, and Pumps. This eliminates the possibility of the purified water being re-contaminated by bacteria in any of these purifiers.

DIMENSIONAL DATA

Figure 1 - SANITRON® Dimensional Drawing

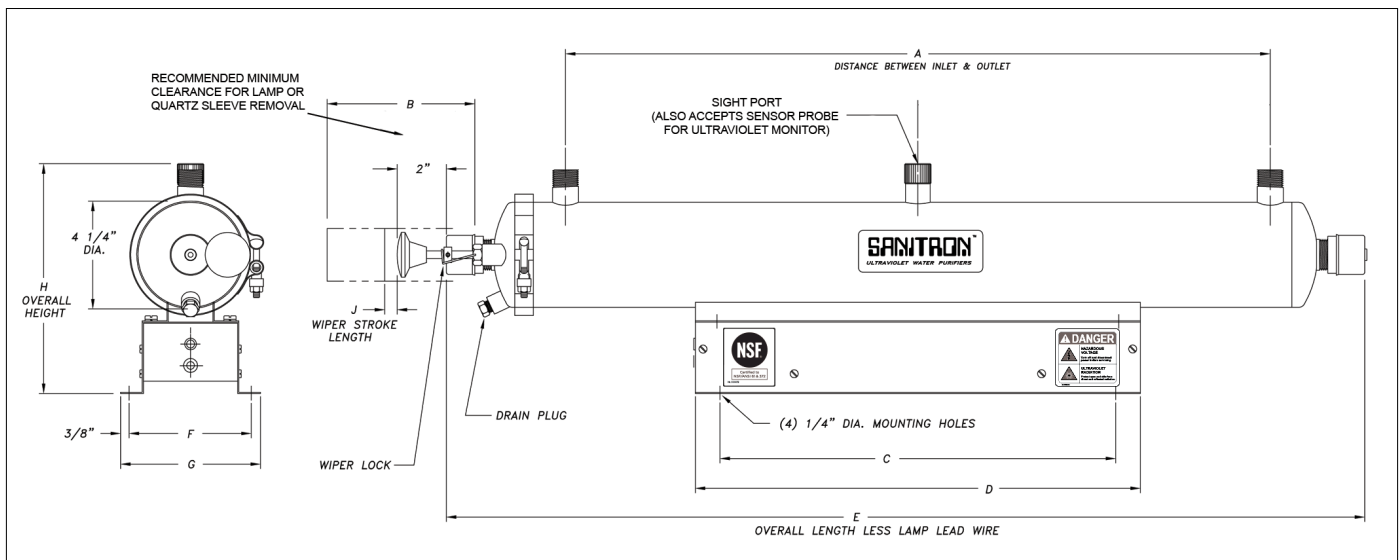


Table 2 - SANITRON® Dimensional Data

Model	A	B	C	D	E	F	G	H	J	Inlet/Outlet
S17A	8-3/4"	17"	8-3/4"	10"	17-3/8"	3-5/8"	4-5/16"	8-3/16"	7-3/16"	3/4"m NPT
S23A	14-3/4"	23"	13-1/4"	14-1/2"	23-3/8"	3-5/8"	4-5/16"	8-3/16"	10-3/16"	3/4"m NPT
S37C	28-1/2"	37"	16"	18"	37-3/8"	4-15/16"	5-11/16"	9-1/2"	11-1/8"	1"m NPT
S50C	40-7/8"	50"	26"	30"	50-3/8"	4-15/16"	5-11/16"	9-1/2"	13-13/16"	1-1/2"m NPT

All specifications, dimensional data, etc are approximate and subject to change without notice.

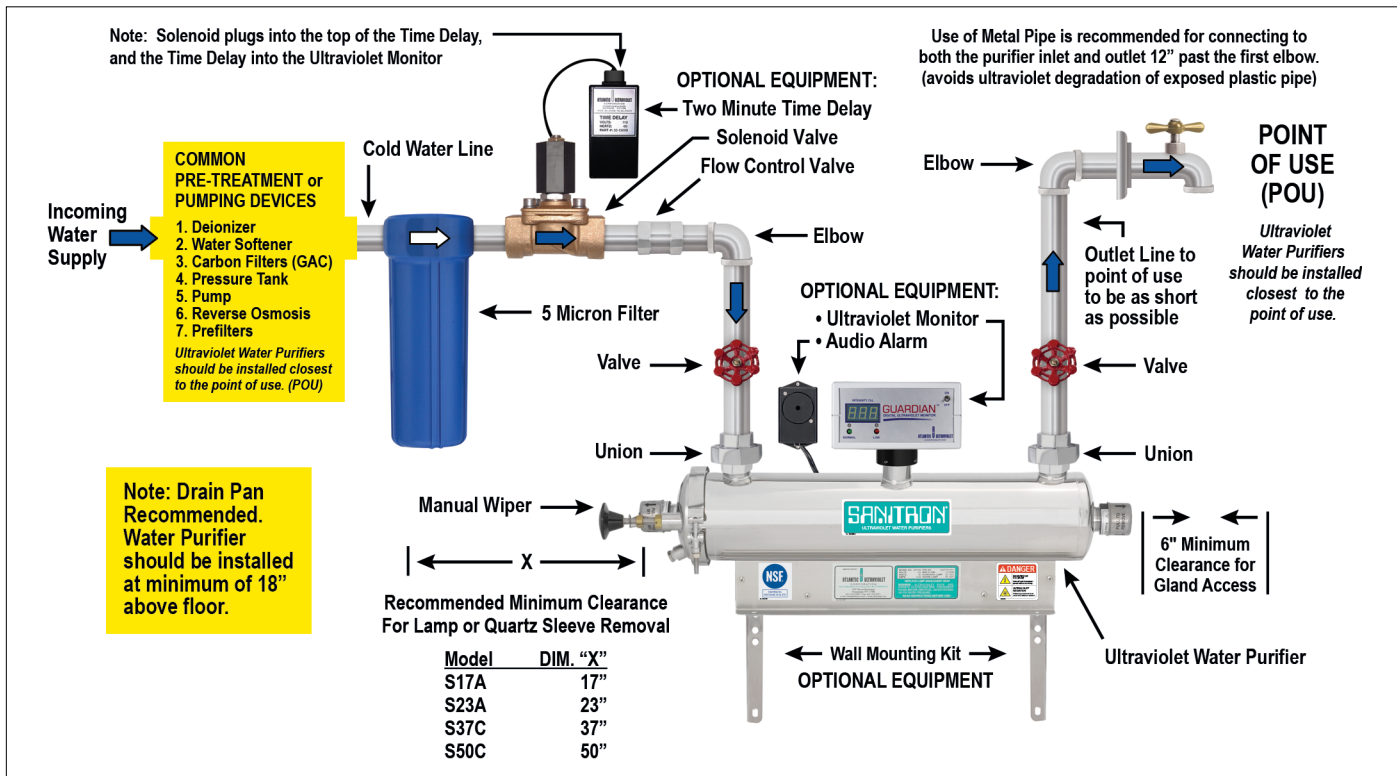
INSTALLATION



IN ORDER TO PERFORM THIS TASK, BE SURE TO WEAR THE FOLLOWING SAFETY EQUIPMENT: SAFETY GOGGLES OR A FACE SHIELD, AS WELL AS GLOVES.

1. Remove water purifier from shipping carton. Inspect water purifier, power cord and plug for damage. Do not operate if there is any damage to the purifier, power cord or plug. Models S17A and S23A are shipped with the lamp already installed, while the lamp in the S37C and the S50C is packed separately. Keep the lamp aside for installation once the purifier has been properly installed.
2. Purifiers occasionally experience damage in shipment due to the fragility of the quartz sleeve. It is, therefore, recommended to inspect the water purifier for damage to the quartz sleeve after it has been removed from the shipping carton. Each end of the purifier as well as the inlet and outlet should be viewed to see if the quartz sleeve has experienced damage. If the quartz sleeve shows signs of damage it should be replaced before the purifier is pressurized. See “**Quartz Sleeve Installation or Replacement**” in the “**Maintenance**” section for the proper method of replacing the quartz sleeve in your water purifier.

Figure 2 - Recommended Installation



3. The water purifier should be mounted horizontally on a flat dry surface. Secure the water purifier using the mounting holes in the ballast housing or with the optional wall mounting kit. The purifier should not be solely supported by its plumbing connections.
4. The water purifier must be connected to the cold water line only. Inlet water temperature should not exceed 100° F.
5. Installation requires that a 5-micron sediment filter or finer be installed, in line, prior to the water purifier. The sediment filter will stop or trap large particulates from entering the water purifier. Particulates may cause deposits on the quartz sleeve, as well as interfere with the purifier’s ability to disinfect the water. The sediment filter may also help to reduce the amount of routine cleanings of the quartz sleeve.
6. Shut off valves should be installed on both the inlet and outlet sides of the water purifier. **The use of bypass valves is not recommended.** The shut off valves allow the purifier to be isolated from the water supply, which is required when removing the quartz sleeve.
7. Unions should be installed on both the inlet and outlet of the water purifier; this will allow easy removal of the water purifier from the plumbing, if required. Apply Teflon® tape to threads of inlet and outlet ports to ensure a tight seal.
8. When all plumbing connections are complete, allow water to enter the water purifier at a low flow rate, until the purifier is full. **NOTE: Close the purifier outlet valve to pressurize the chamber.** With the purifier pressurized, it should be checked for leaks. Once it is determined that there are no leaks, the inlet valve can be fully opened. **(Continued on Page 7)**

9. For Models with lamps packed separately, install lamp following the steps in “**Lamp Installation or Replacement**” section.
 - ⚠ CAUTION** Lamp and quartz sleeve are easily damaged. Exercise care when handling.
10. **⚠ WARNING** Plug water purifier into approved ground fault circuit interrupt (GFCI) receptacle. Confirm lamp operation indication at sight port.
11. Once the plumbing hook ups are made, it is a good practice to disinfect the “downstream” plumbing between the purifier and point of use. This is done by introducing chlorine or other disinfectant solution into the purifier chamber, a 100-ppm of chlorine is suggested. With the disinfectant in the purifier chamber, turn the ultraviolet purifier on. Open the “downstream” outlet until a chlorine or disinfectant solution odor is noticed. Close the outlet and allow the disinfectant to remain in the plumbing for three (3) hours. Flush the plumbing with ultraviolet purified water; allow the water to run for a minimum of 5 minutes prior to use (to ensure no chlorine or disinfectant smell can be detected). This will allow the chlorine or disinfectant solution to be flushed from the pipes.

INITIAL INSTALLATION OF QUARTZ SLEEVE MODEL S50C (SHIPPED WITHOUT QUARTZ SLEEVE INSTALLED)



IN ORDER TO PERFORM THIS TASK, BE SURE TO WEAR THE FOLLOWING SAFETY EQUIPMENT: SAFETY GOGGLES OR A FACE SHIELD, AS WELL AS GLOVES.

⚠ WARNING Water Purifier should NOT be installed or plumbed prior to following the instructions on this page.

NOTE: Some **SANITRON**® Model S50C models are packed without a quartz sleeve installed in the water purifier chamber and instead have a PVC pipe installed temporarily (for shipping purposes). Please follow these instructions if applicable.

1. Pull off **EASY-OFF**™ End Caps from static gland nut on each end of the water purifier chamber.
2. Unscrew static gland nuts from each end of the chamber and remove Teflon® washer and O-Ring from both ends of PVC pipe. Set aside.
3. Remove chamber head clamp from chamber and set aside. Withdraw Chamber head, wiper rod, and large head O-Ring in one assembly, making sure these parts remain together per **Figure 4**. **NOTE:** Be sure to keep the large O-Ring on the chamber head when removing this from the chamber.
4. Remove PVC pipe and discard (**REMINDER:** be sure that the Teflon® washer and O-Ring from both ends of PVC pipe are removed before discarding the PVC pipe.)
5. **⚠ CAUTION** Broken Quartz is **SHARP**. It is recommended that protective goggles and gloves are worn when handling. Remove Quartz Sleeve from separate package inside the carton which had contained the water purifier.
6. Starting from the end furthest away from the chamber head, carefully push the quartz sleeve (**Figure 4**) through each Teflon® wiper segment. Twisting the quartz sleeve will help perform this task.
7. Carefully align the end of the quartz sleeve with the gland fitting on the chamber head and pass the sleeve through the chamber head making sure the head O-Ring remains on the chamber head. **⚠ CAUTION** Broken Quartz is **SHARP**. It is recommended that protective goggles and gloves are worn when handling.
8. Carefully slide the now-assembled head/ wiper/quartz sleeve assembly into the chamber. Support the far end of the quartz sleeve when passing it through the static gland nut. **NOTE:** It is advisable to support the quartz sleeve on the opposite end with your finger so that it does not drop to the bottom of the chamber as it slides into the chamber.
9. Push the chamber head/wiper assembly into the chamber until both flared ends (on the head and the chamber) mate against the O-Ring.
10. Place the clamp over the flared edges. **IMPORTANT** - Before tightening, be sure that wiper knob is at the 3 o'clock position (**Figure 3**). Tighten the nut until approximately 7/8” – 1” of the bolt protrudes past the nut.
11. Center the quartz sleeve so equal lengths are protruding at each end past the gland fittings.
12. Reassemble the O-Rings, Teflon® washers and gland nuts in the order shown in **Figure 3**. **TAKE CARE NOT TO DAMAGE THE QUARTZ SLEEVE WHEN INSTALLING THE GLAND NUTS. STRIKING THE SLEEVE WITH THE GLAND NUT WILL BREAK THE END OF THE QUARTZ SLEEVE.**
13. Tighten the static gland nuts firmly by hand. **DO NOT USE HAND TOOLS**. Using hand tools is likely to cause quartz sleeve to break.
14. Proceed to the “**Lamp Installation or Replacement**” section of this manual to properly install the germicidal ultraviolet lamp in the water purifier.

Figure 3 - Initial Installation of Quartz Sleeve

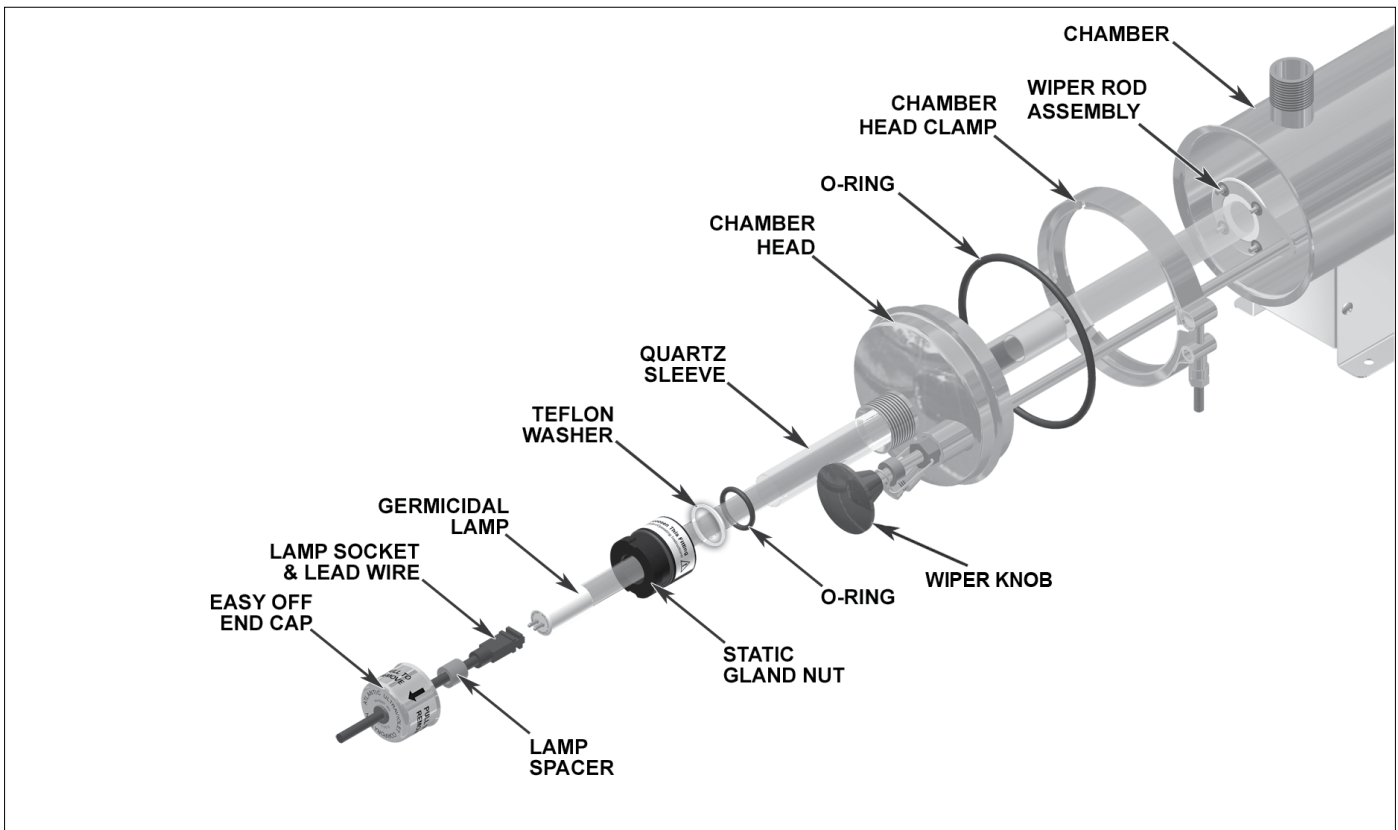
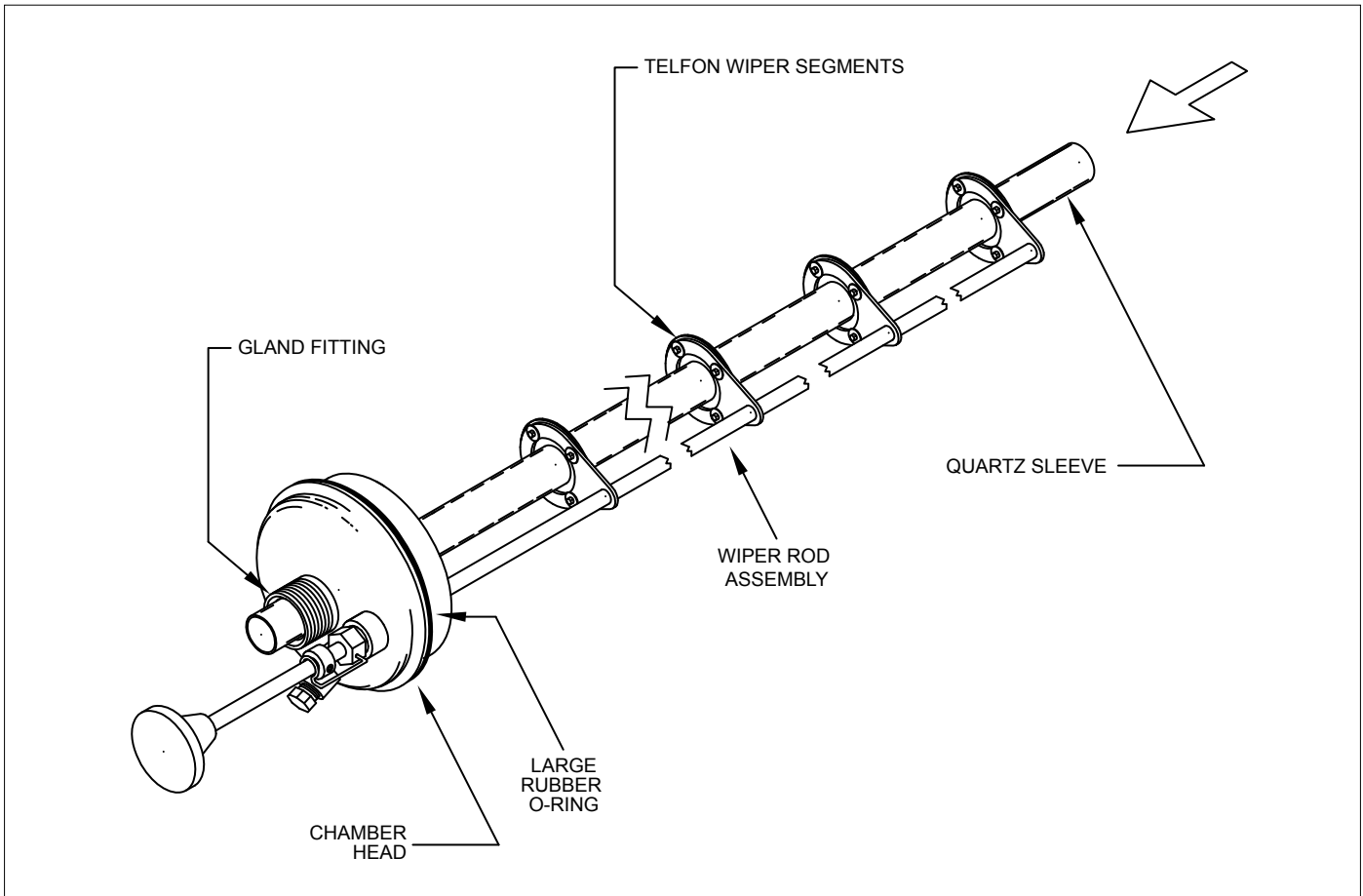


Figure 4 - Initial Installation of Quartz Sleeve



RECOMMENDED OPTIONS

1. **GUARDIAN™ Ultraviolet Monitor***: Visually indicates the level of germicidal ultraviolet energy that penetrates the quartz sleeve and the water within the water purifier. The ultraviolet monitor is capable of operating an optional **Promate™** Audio Alarm and/or **Promate™** Solenoid Valve. The ultraviolet monitor will detect reduction of ultraviolet levels due to:
 - Fouling or deposits on the quartz sleeve.
 - Poor ultraviolet transmission through the water; color, turbidity, and organic or other impurities in the water can reduce or interfere with the transmission of ultraviolet rays.
 - Lamp outage or component failure. (Monitor will not function in power outage.)
 - Depreciation of the lamp output due to usage or other cause. Lamp output gradually depreciates with use. Lamp replacement is recommended once each year.
2. **SENTRY™ Safety Sensor**: Indicators provide constant visual monitoring of normal operation. In the event of ballast or lamp failure the safety sensor indicates an alarm condition. The safety sensor is capable of operating an optional **Promate™** Audio Alarm and/or **Promate™** Solenoid Valve.
3. **STERALERT™ Lamp Status Alarm**: Produces a high pitched, pulsed tone when the water purifier is no longer functioning when visible light fails.
4. **SureFLO™ Flow Control Valve***: Limits water flow to the rated capacity of the purifier. The flow control valve is located in line prior to the water purifier, and should be protected from ultraviolet exposure by the use of a 90-degree elbow fitting between the flow control valve and the water purifier.
5. **Promate™ Audio Alarm***: Activated by the Ultraviolet Monitor or Safety Sensor, alerts the user to any malfunction detected.
6. **Promate™ Solenoid Valve***: Operated in conjunction with the Ultraviolet Monitor, Safety Sensor or Time Delay Mechanism, this valve prevents water flow through the water purifier when an abnormal condition is detected or in the event of power failure.
7. **Promate™ Elapsed Time Indicator**: A non-resettable display of the water purifier operating hours. Useful for scheduling and recording maintenance and lamp replacement.
8. **Promate™ Time Delay Mechanism***: Provides a 2-minute warm up period during which the ultraviolet lamp achieves its full germicidal output before the water is allowed to flow through the water purifier. The time delay mechanism is used in conjunction with, and is electrically connected to the Solenoid Valve.
9. **Promate™ Wall Mount Kit**: Stainless steel wall brackets provide quick and easy installation and professional finish. Pre-drilled and ready to install. Optimizes free air circulation to cool ballast housing.
10. **QUANTUM™ Thermal Optimizer**: Thermal relief valve used to help regulate the water temperature inside the water purifier's disinfection chamber. Since the ultraviolet output of a germicidal lamp is affected by temperature it is important to keep the lamp's temperature within the peak output temperature range.
11. **Promate™ Safety Goggles**: Safety eyewear should be used as general-purpose safety protection and for additional shielding from ultraviolet rays
12. **Promate™ Face Shield**: Adjustable headgear and lightweight visor provides eye and face protection from germicidal ultraviolet rays.

* Use of this option is recommended by U.S. Public Health Service "Criteria for Acceptability of an Ultraviolet Disinfection Unit." Originally issued April, 1966.

NOTE: The recommended options above are available from Atlantic Ultraviolet Corporation® or a distributor of their products. For the other devices that may be required for your application, please contact your local water treatment dealer, plumber or plumbing supplier.

OPTIONAL ACCESSORIES

Table 3 - Optional Accessories

Optional Accessories	Available For:	
GUARDIAN™ Ultraviolet Monitor - Analog/Digital	S17A through S50C	
SENTRY™ Safety Sensor	S17A through S50C	
STERALERT™ Lamp Status Alarm	S17A through S50C	
Promate™ Audio Alarm	S17A through S50C	
Promate™ Elapsed Time Indicator Universal Input	S17A through S50C	
Promate™ Wall Mounting Kit	S17A through S50C	
Promate™ Time Delay Mechanism	S17A through S50C	
QUANTUM™ Thermal Optimizer:	S17A through S50C	
Promate™ Solenoid Valve	S17A	(3/4")
	S23A	(3/4")
	S37C	(1")
	S50C	(1-1/2")
SureFLO™ Flow Control Valve ①	S17A	(3/4")
	S23A	(3/4")
	S37C	(1")
	S50C	(1-1/2")

Most optional accessories are available for operation at 120v 60Hz or 220v 50Hz. Please specify. Consult Factory for 12v DC or other special input power requirements.

① Unless otherwise specified PVC flow control valves are supplied. All PVC and Stainless Steel flow control valves are male NPT. Consult Factory for other flow control valves

MAINTENANCE

The water purifier is designed to operate with a minimal amount of maintenance, providing the water quality does not exceed maximum concentration levels, see “**Water Quality**” in the “**Product Application**” section. Ordinary maintenance consists of;

- Lamp replacement is recommended every 10,000 hours of operation, approximately 12 months of continuous service.
- Cleaning of the quartz sleeve, when conditions warrant. It is recommended that the inspection of quartz sleeve be performed after one month of use. If quartz sleeve is found to be coated (not clear), then frequency of cleaning must be done more often. Deposits or discoloration on the surface of quartz sleeve are caused by excessive levels of the subject contaminant within the water that is in contact with the quartz sleeve. Most deposits on the quartz sleeve are caused by an excess of calcium (hardness), iron or manganese. Table 1 on Page 4 lists the maximum recommended concentration of these minerals in the water that passes through the ultraviolet purifier. If you encounter difficulty due to deposits on the quartz sleeve, your dealer will be able to recommend suitable pretreatment to reduce or eliminate the offending contaminant. If quartz sleeve is clean (clear) then frequency of cleaning may be extended. **NOTE: SANITRON® Ultraviolet water purifiers are equipped with a manual wiping mechanism making the process of routine cleaning easier and therefore, recommended weekly or at the very least monthly to ensure best performance. NOTE: The use of optional GUARDIAN™ Ultraviolet Monitor will detect loss of transmission due to coating on the quartz sleeve.**
- Always disconnect the water supply and completely drain the water purifier if it will be subjected to temperatures below freezing.
- Contact factory with questions.

INSPECTION

1. Regularly inspect the water purifier to ensure that the germicidal lamp is still in operation.
 - On purifiers not equipped with the Ultraviolet Monitor, lamp operation can be verified by a visible glow through the translucent sight port. This provides an indication of lamp operation and does not indicate the level of ultraviolet intensity or transmission through the water.
 - On purifiers so equipped, the **GUARDIAN™** Ultraviolet Monitor provides visual indication of the ultraviolet intensity through the quartz sleeve and water in the purifier chamber.
2. To ensure proper operation of the water purifier, regular biological testing of the purifier output water should be performed on a schedule recommended by local public health authorities, or at minimum; at installation, quarterly for the first year of service and annually, at lamp replacement, for the life of the water purifier.
3. Additional testing should be performed whenever modifications, change, or additions are made to plumbing system, pumps, well source water etc. to ensure adequate disinfection under new condition.
4. As with any water purifier installation, routine maintenance is necessary to ensure you equipment is operating correctly. Regular inspection must also include confirmation that approved ground fault circuit interrupt (GFCI) receptacle is still operational and that water purifier is plugged into this GFCI. Any components which are damaged or broken should be replaced.

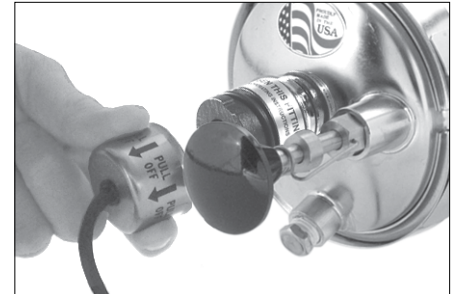
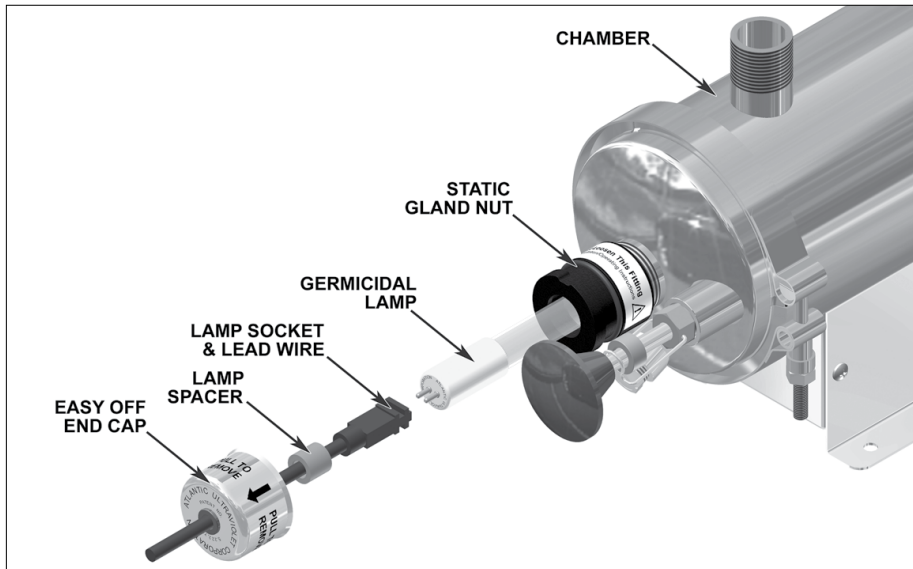
DISPOSAL OF MERCURY ADDED LAMPS



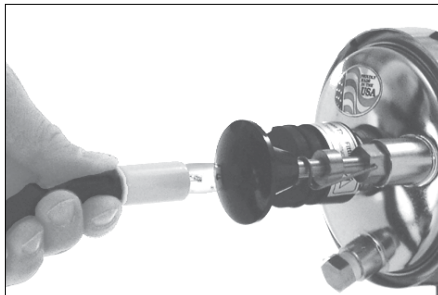
Germicidal ultraviolet lamps, like standard fluorescent lamps contain small amounts of mercury. Mercury added lamps should not be placed in the trash. Dispose of properly. For further information regarding the disposal and recycling of lamps containing mercury, along with Federal and State requirements visit LampRecycle.org. For more information on **STER-L-RAY**[®] Germicidal Ultraviolet Lamps, visit Ultraviolet.com or BuyUltraviolet.com.

LAMP INSTALLATION OR REPLACEMENT

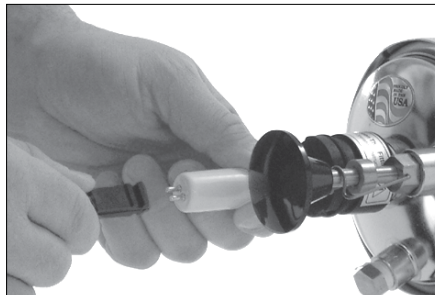
Figure 5 - Lamp Replacement



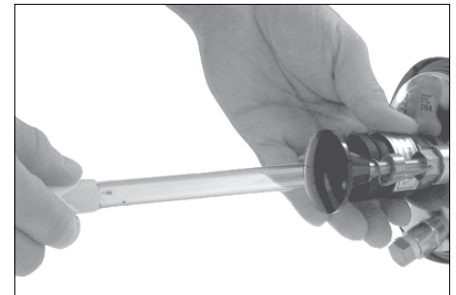
Step 2 - Remove End -Cap



Step 3 - Withdraw Lamp



Step 4 & 5 - Remove Sockets



Step 6 - Remove Lamp



IN ORDER TO PERFORM THIS TASK, BE SURE TO WEAR THE FOLLOWING SAFETY EQUIPMENT: SAFETY GOGGLES OR A FACE SHIELD, AS WELL AS GLOVES.

1. **⚠️ WARNING** Disconnect power to water purifier.
2. Remove both **EASY-OFF**[™] End Caps by pulling each cap off static gland nut. Slide each end cap along the wire away from the socket.
3. Carefully withdraw lamp approximately 2 inches from chamber while feeding lamp socket and lead wire on opposite end of chamber.
4. While holding lamp end, carefully remove lamp socket on end now exposed.
5. Next, carefully slide lamp back into chamber, until approximately 2 inches of the lamp is exposed on the opposite end. Hold lamp and remove lamp socket.
6. Lamp should now be disconnected on both ends. Carefully remove lamp from chamber. Be sure to withdraw lamp straight out without angling until completely clear of quartz sleeve.

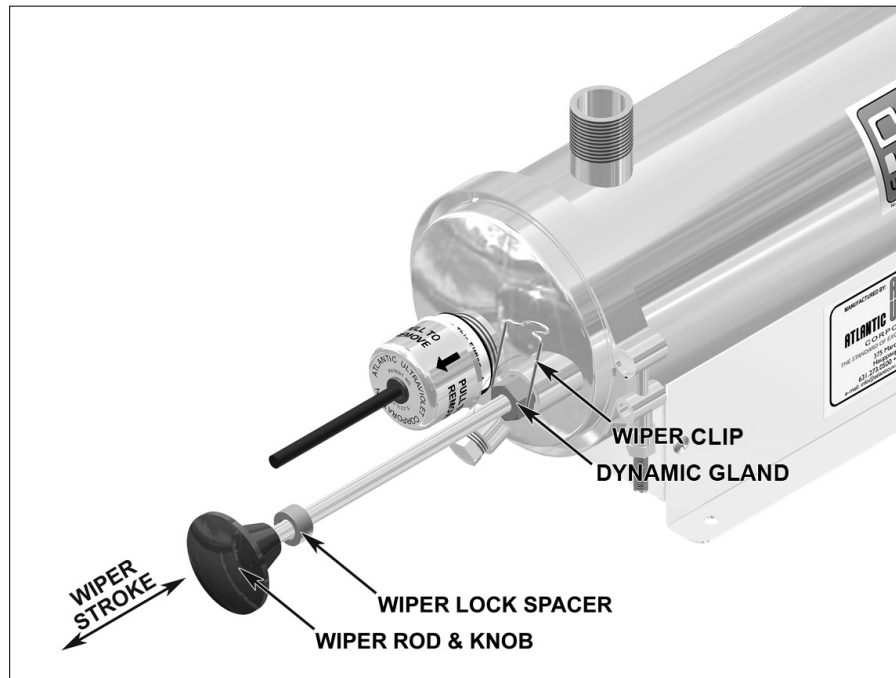
⚠️ CAUTION Lamp and quartz sleeve are easily damaged. Exercise care when handling.

7. Reinstall lamp in reverse order.

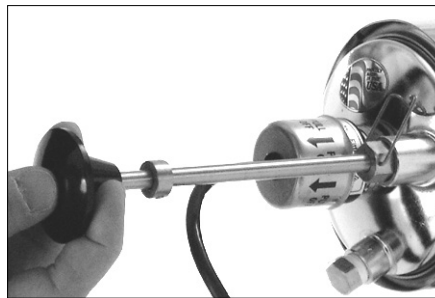
⚠️ WARNING Germicidal ultraviolet rays are harmful to eyes and skin. Do not restore power to water purifier until lamp and both **EASY-OFF**[™] End Caps have been properly reinstalled.

QUARTZ SLEEVE CLEANING USING WIPER MECHANISM

Figure 6 - Quartz Sleeve Cleaning



Step 1 - Lift wiper clip up



Step 2 - Gently pull wiper knob out



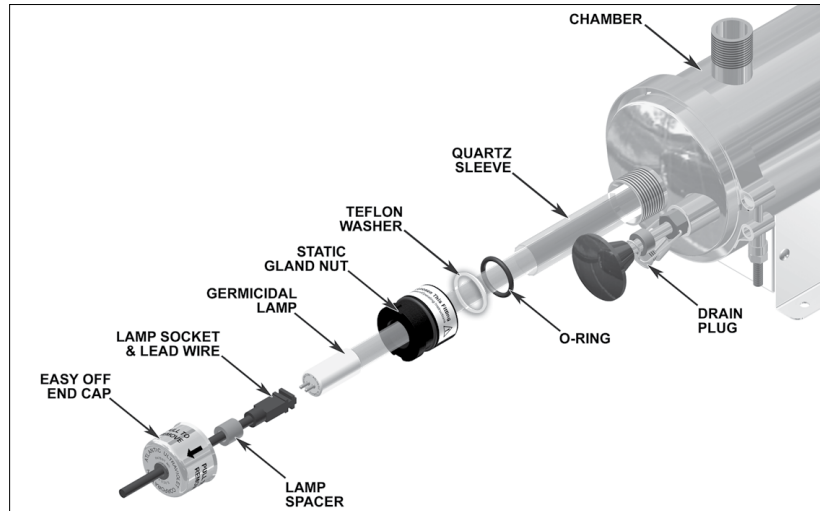
Step 3 - Push wiper back in

Routine cleaning of the quartz sleeve is easily accomplished, using the dual action wiper mechanism.

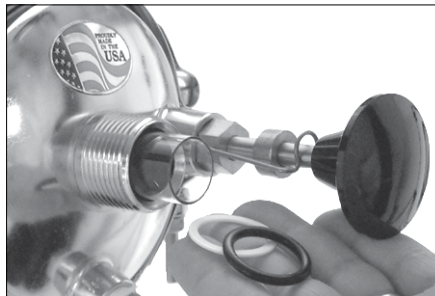
1. Lift wiper clip up and away from wiper rod.
2. Grasp wiper knob and gently pull out, away, from the purifier until it reaches its stop.
3. Push wiper back in, toward the purifier until it reaches its second stop.
4. Repeat steps 2 and 3 as necessary.
5. Holding wiper in place, return wiper clip and snap over wiper rod, in front of the wiper lock spacer.

QUARTZ SLEEVE INSTALLATION OR REPLACEMENT

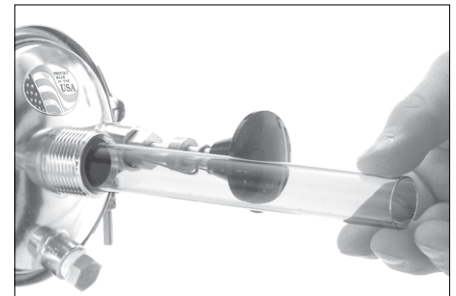
Figure 7 - Quartz Sleeve Installation or Replacement



Step 4 - Remove Gland Nuts



Step 5 - Remove Washer & O-Ring



Step 6 - Remove Quartz Sleeve



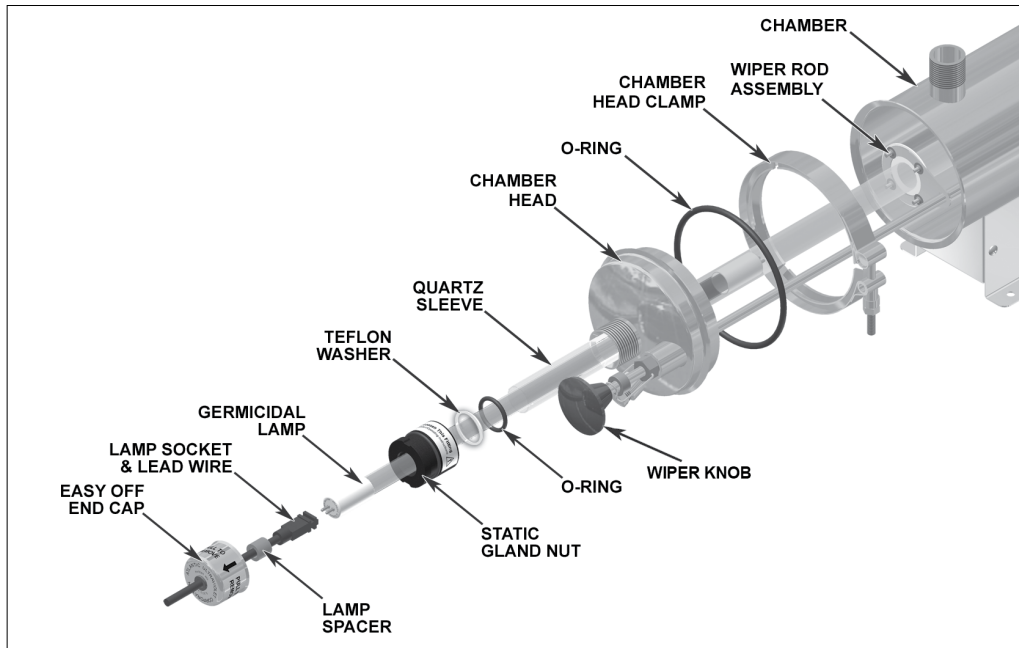
IN ORDER TO PERFORM THIS TASK, BE SURE TO WEAR THE FOLLOWING SAFETY EQUIPMENT: SAFETY GOGGLES OR A FACE SHIELD, AS WELL AS GLOVES.

1. **⚠️ WARNING** Disconnect power to water purifier.
2. Shut off water supply to water purifier via inlet and outlet shut off valves. Remove drain plug and drain the chamber. Once the chamber is completely drained, remove any old sealing tape from the threads of the drain plug, rewrap with 1/2" wide Teflon® thread sealing tape, reinstall and tighten the drain plug.
3. Follow the steps in "Lamp Installation or Replacement" to remove lamp.
⚠️ CAUTION Lamp and quartz sleeve are easily damaged. Exercise care when handling.
4. Unscrew static gland nuts from each end of the chamber. Avoid striking quartz sleeve with static gland nut.
5. Remove Teflon® washer and O-Ring from both ends of quartz sleeve. Teflon® washer will sometimes remain within the static gland nut. If so, remove Teflon® washer from static gland nut before proceeding.
6. Carefully remove quartz sleeve from chamber. **NOTE: It is advisable to support the quartz sleeve on the opposite end with your finger so that it does not drop to the bottom of the chamber as it slides into the chamber.**
7. Once the quartz sleeve is removed, clean with alcohol or a mild, non-abrasive detergent. Stubborn stains usually can be removed with a dilute hydrochloric acid. **NOTE: Follow all manufacturer's instructions and precautions when handling chemicals.**
8. Reassemble in reverse order. Make sure the quartz sleeve protrudes an equal distance past each threaded nipple. Be sure O-Rings are placed on quartz sleeve before Teflon® washer.
9. Tighten static gland nuts firmly by hand only, **DO NOT USE HAND TOOLS**. Tightening with hand tools is likely to cause quartz sleeve to break.
10. **Slowly** restore water supply to water purifier and check for leaks.
11. If no leaks occur, reinstall lamp, following the steps in "Lamp Installation or Replacement" section on page 11.

⚠️ WARNING Germicidal ultraviolet rays are harmful to eyes and skin. Do not restore power to water purifier until lamp and both EASY-OFF™ End Caps have been properly reinstalled.

REPLACEMENT OF *BROKEN QUARTZ SLEEVE*

Figure 8 - Quartz Sleeve



IN ORDER TO PERFORM THIS TASK, BE SURE TO WEAR THE FOLLOWING SAFETY EQUIPMENT: SAFETY GOGGLES OR A FACE SHIELD, AS WELL AS GLOVES.

CAUTION Broken Quartz is SHARP. It is recommended that protective goggles and gloves are worn when handling.

WARNING Disconnect power to water purifier. Shut off water supply to water purifier via inlet and outlet shut off valves. Completely drain chamber.

Follow the steps in “**Quartz Sleeve Installation or Replacement**” to remove lamp and quartz sleeve.

- To prevent damage to the electrical components, it is necessary to separate the ballast housing from the purifier chamber.
 - On **SANITRON**® Models S17A, and S23A, the ballast housing is mounted to the purifier chamber using four (4) No. 8 x 3/8” long screws. Using a Phillips cross point screwdriver, carefully remove the four (4) screws, from along the sides of the ballast housing, and set aside. Separate the housing from the chamber.
 - On **SANITRON**® Models S37C and S50C, the ballast housing is mounted to the purifier chamber using four (4) 1/4”-20 x 3/8” long hex head bolts. Using a 7/16” wrench or an adjustable wrench, carefully remove the four (4) bolts with the lock and flat washers, from along the top of the ballast housing, and set aside. Separate the housing from the chamber.
 - Keep ballast housing and mounting hardware in a clean, dry area.
- CAUTION** Carefully remove as much of the broken quartz sleeve as possible, from each end of the chamber.
- Remove chamber head clamp, by using a 7/16” wrench to loosen and remove the 1/4” nut from the head clamp
- Withdraw chamber head and wiper assembly, from the chamber.
- Any broken pieces of the quartz sleeve can now be removed through the open end of the purifier chamber. Flush water through chamber being careful to remove all quartz fragments from the interior of the chamber.
- Carefully** discard all pieces of the broken quartz sleeve.
- Inspect the large O-Ring used to seal the chamber and the chamber head. Make sure the O-Ring is seated properly between the chamber head ring and the flare of the chamber head.
- Insert replacement quartz sleeve through each Teflon® wiper segment, starting from the furthest segment working towards the chamber head. Twisting the quartz sleeve will help work the quartz sleeve through the Teflon® segments. Align the end of the quartz sleeve with the threaded gland nipple of the chamber head, and pass the quartz sleeve through the chamber head.
- To re-install, carefully slide the chamber head and wiper rod assembly, into the chamber, with drain port pointing down; using your finger, support the far end of the quartz sleeve when passing it through the gland fitting of the chamber. Push chamber head flange into the chamber until flared end, of the chamber and the head, mate against the O-Ring.

10. Replace the head clamp around the flared end of the head and chamber. Install the 1/4" nut and tighten, using a 7/16" wrench, until approximately 3/4" to 7/8" of the bolt protrudes past the nut.
11. Center the quartz sleeve in the chamber, making sure the quartz sleeve protrudes an equal distance past each threaded gland fitting, of the chamber.
12. Re-install O-Rings, Teflon® washers, and static gland nuts. Be sure O-Rings are placed on quartz sleeve before Teflon® washer. Tighten static gland nuts firmly by hand only, **DO NOT USE HAND TOOLS**. Tightening with hand tools is likely to cause quartz sleeve to break.
13. Re-assemble ballast housing to purifier chamber, using hardware removed in Step 1. **NOTE:** When re-assembling ballast housing to purifier chamber, electrical power cord should exit ballast housing from the end mounted opposite the drain plug.
14. When all connections are complete, allow water to enter the water purifier at a low flow rate until the purifier is pressurized. With the purifier pressurized, it should be checked for leaks.
15. See "**Lamp Installation or Replacement**" section on **page 11** to properly re-install the lamp into the water purifier.

OPTIONAL GUARDIAN™ ULTRAVIOLET MONITOR SENSOR PROBE CLEANING

Figure 9 - Ultraviolet Monitor and Sensor Probe

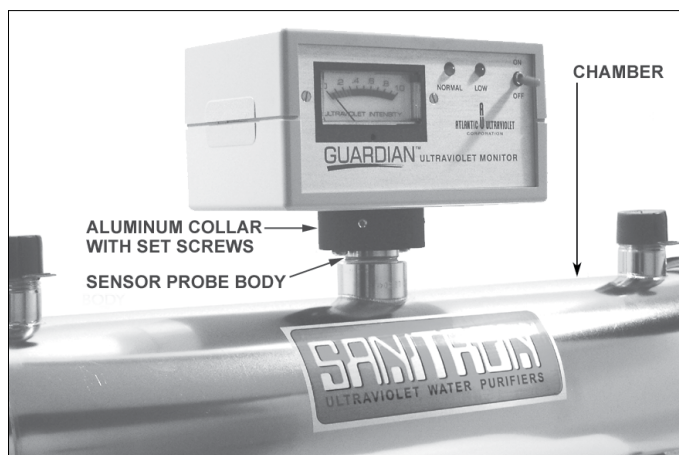


Figure 10 - Sensor Probe



If after cleaning the quartz sleeve, there is no significant improvement in the ultraviolet intensity, as shown on the intensity meter, it may be necessary to clean the Ultraviolet Monitor's sensor probe. The sensor probe body mounts in a fitting, located in the center of the disinfection chamber, and protrudes into the chamber.

1. ⚠️ **WARNING** Disconnect power to water purifier.
2. Shut off water supply to the water purifier via the inlet and outlet shut off valves. Remove drain plug and drain the chamber. Once the chamber is drained, remove any old sealing tape from the threads of the drain plug, rewrap with 1/2" wide Teflon® thread sealing tape, reinstall and tighten the drain plug.
3. Disconnect power to the Ultraviolet Monitor; remove from chamber by loosening the two set screws on the aluminum collar and lifting it free from probe body.
4. Unscrew the sensor probe and remove from the chamber.
5. Remove the quartz rod sensor probe cap, from the probe body. Take care not to damage the quartz rod, O-Ring or the threads of the probe body. **NOTE:** It is recommended, when servicing the sensor probe, to work in a clean, dry area.
6. Once the quartz rod is removed, clean with alcohol or a mild detergent, and rinse with clean water. Stubborn stains usually can be removed with a dilute hydrochloric acid. **NOTE:** Follow all manufacturer's instructions and precautions when handling chemicals. Once the quartz rod has been cleaned, handle the rod by the sides, to avoid getting fingerprints on the quartz rod faces.
7. Clean the probe body, by removing any dirt or deposits on all surfaces. O-Rings should be inspected and can be replaced if worn or damaged.
8. Reassemble, replacing the O-Rings, quartz rod and securing in place with the quartz rod sensor probe cap. Tighten the quartz rod sensor probe cap by hand only, **DO NOT USE HAND TOOLS**. Tightening with hand tools may damage the quartz rod or O-Ring seal.
9. Reinstall sensor probe into the center fitting of the chamber and hand tighten. **(Continued on Page 16)**

10. **Slowly** restore water supply to the water purifier, pressurize, and check for leaks. Once it is determined that there are no leaks, inlet valve can be fully opened.
11. Reposition Ultraviolet Monitor on probe body and tighten set screws.
12. Restore power to the water purifier and ultraviolet monitor. If after the cleaning of the quartz rod, there is still no significant improvement in the ultraviolet intensity, as shown on the intensity meter, proceed to the **“Troubleshooting”** section.

TROUBLESHOOTING

⚠️ WARNING Always disconnect power to the water purifier before performing any service or maintenance.

IMPORTANT: This purifier is to be serviced **ONLY** by qualified, and appropriately licensed, personnel.

Table 4 - Troubleshooting

Problem	Possible Cause	Corrective Action
Purifier not operating	No electrical power	Verify that the purifier is connected to a live power source.
Water leaking from purifier	Cracked or broken quartz sleeve	Shut down purifier, drain, and replace quartz sleeve. See “Quartz Sleeve Installation or Replacement” in the “Maintenance” section
	Quartz sleeve sealing O-Ring(s) worn, damaged	Shut down purifier, drain, and remove static gland nut, replace sealing O-Ring. See “Quartz Sleeve Installation or Replacement” in the “Maintenance” section
	Poor, or loose, connections or fittings	Tighten suspect connection or fitting; or shut down purifier, drain, and remove fitting or connection. Clean threads; reapply thread sealing tape and reinstall.
Poor purifier disinfection performance AND/OR Low UV intensity (As indicated on optional GUARDIAN™ Ultraviolet Monitor)	Quartz sleeve fouled	Clean quartz sleeve, see “Quartz Sleeve Cleaning” in the “Maintenance” Section.
	Sensor Probe, if equipped, lens or quartz rod fouled	Clean lens or Quartz Rod, see “Optional Ultraviolet Monitor Sensor Probe Cleaning” in the “Maintenance” section
	Germicidal lamp output depreciating	Replace lamp, as it nears its end of life (EOL). See “Lamp Installation or Replacement” in the “Maintenance” section.
	Germicidal lamp not functioning	Replace lamp. See “Lamp Installation or Replacement” in the “Maintenance” section
	Low input voltage	Verify input voltage to purifier.
	Change in water quality	Have water tested to confirm that it does not exceed maximum recommended concentration levels for use with this purifier.

TECHNICAL SPECIFICATIONS

Table 5 - Technical Specifications

Model:	S17A	S23A	S37C 	S50C 
Flow Rate (GPM):	3	6	12	20
Inlet/Outlet Size:	3/4"m NPT	3/4"m NPT	1"m NPT	1-1/2"m NPT
Number of Lamps:	1	1	1	1
Lamp Model No.:	05-1098-R	05-1097-R	05-1343-R	05-1334-R
Length:	17-3/8"	23-3/8"	37-3/8"	50-3/8"
Width:	4-5/16"	4-5/16"	5-11/16"	5-11/16"
Height:	8-3/16"	8-3/16"	9-1/2"	9-1/2"
Chamber Diameter:	4-1/4"	4-1/4"	4-1/4"	4-1/4"
Shipping Weight:	11 Lbs	14 Lbs	22 Lbs	36 Lbs
Voltage: ①	120V	120V	120V	120V
Amps:	.23A	.33A	.42A	.52A
Frequency:	60Hz	60Hz	60Hz	60Hz
Power Consumption: ③	18 Watts	25 Watts	48 Watts	65 Watts
Lamp Watts:	14 Watts	21 Watts	41 Watts	55 Watts
Max Operating Pressure:	100 PSI	100 PSI	100 PSI	100 PSI
Ambient Temperature:	35° F - 100° F	35° F - 100° F	35° F - 100° F	35° F - 100° F
Quartz Sleeve:	1	1	1	1
Drain Plug:	1/4" NPT	1/4" NPT	1/4" NPT	1/4" NPT
Lamp Out Indicator:	Translucent Sight Port	Translucent Sight Port	Translucent Sight Port	Translucent Sight Port
Ultraviolet Monitor: ②	Optional	Optional	Optional	Optional
Flow Control Valve: ②	Optional	Optional	Optional	Optional
Audio Alarm: ②	Optional	Optional	Optional	Optional
Solenoid Valve: ②	Optional	Optional	Optional	Optional
Time Delay Mechanism: ②	Optional	Optional	Optional	Optional
Elapsed Time Indicator:	Optional	Optional	Optional	Optional
Quantum Thermal Optimizer:	Optional	Optional	Optional	Optional

① 220V 50Hz, 220V 60Hz, 12V, or 24V DC purifiers are also available. Consult Factory for specific voltage requirements.

② Use of this option is recommended by U.S. Public Health Service "Criteria for Acceptability of an Ultraviolet Disinfection Unit." Originally issued April, 1966.

③ Total power consumption, including ballast loss (based on 120V purifier).

All specifications, dimensional data, etc. are approximate and subject to change without notice.



WARNING

12 Volt and 24 Volt Direct Current (DC) Ballasts and Purifiers

Many individuals regard ballasts and purifiers powered by 12 volt and 24 volt Direct Current (DC) to be relatively benign from a safety standpoint. However, a DC ballast, in order to operate an ultraviolet discharge lamp, must produce an output as high as 600 volts. This voltage is high enough to produce a very serious or even lethal electric shock. **IT IS IMPERATIVE** that all DC ballasts and DC ultraviolet purifiers be wired and grounded appropriately.

REPLACEMENT PARTS

SANITRON® MODELS S17A & S23A

Figure 11 - Exploded View S17A & S23A

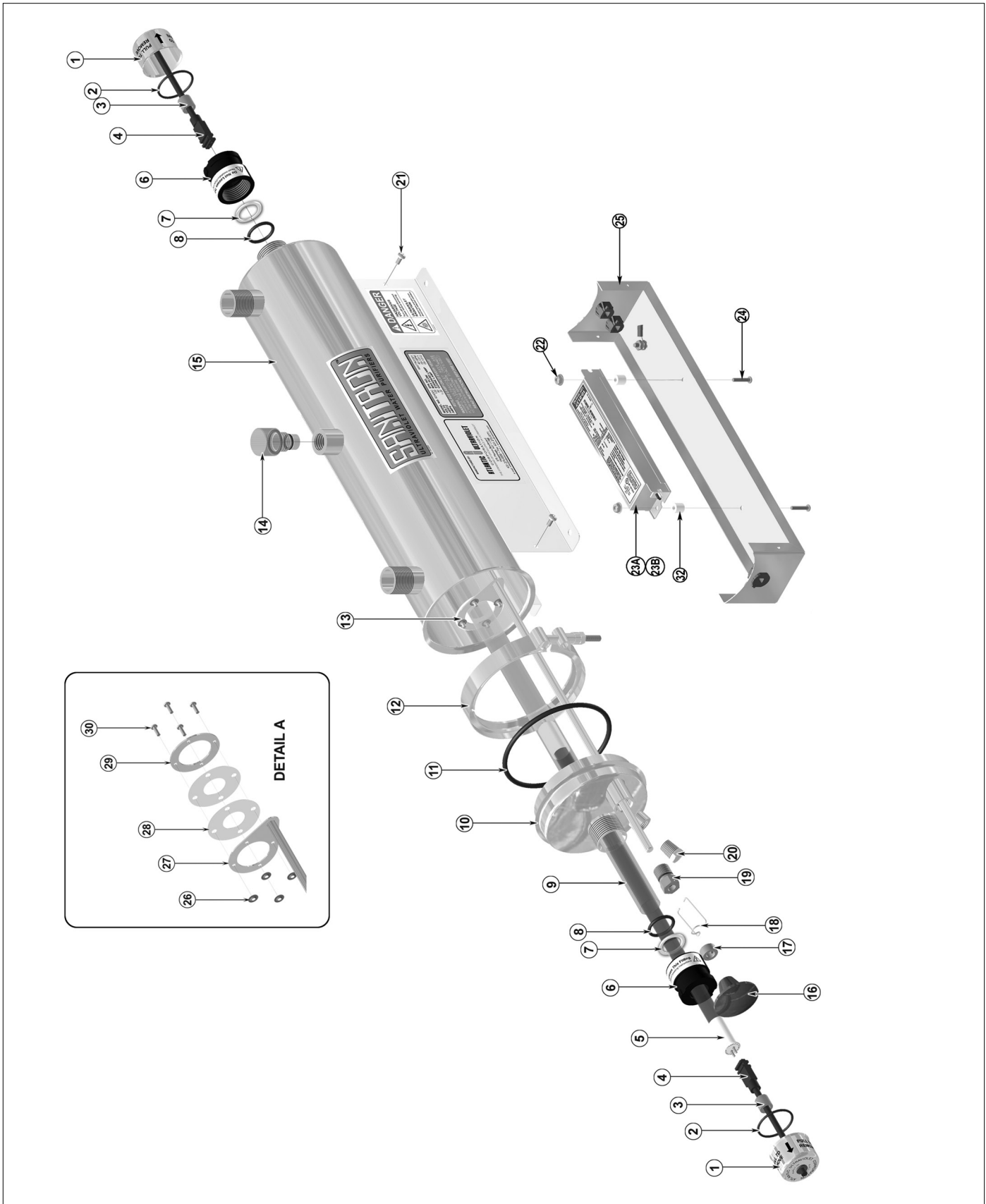


Table 6 - Replacement Parts S17A & S23A

Item No.	Description	S17A		S23A	
		Quantity	Part Number	Quantity	Part Number
1	EASY-OFF™ End Cap	2	25-1499A1	2	25-1499A1
2	Rubber O-Ring, Static Gland	2	00-1108B	2	00-1108B
3	Steadfast™ Lamp Spacer	2	25-0210A	2	25-0210A
4	Steadfast™ Lead Wire & Socket	2	05-1219B2	2	05-2223A
5	STER-L-RAY® Lamp	1	05-1098-R	1	05-1097-R
6	Promate™ Static Gland Nut	2	25-1492D	2	25-1492D
7	Teflon® Washer	2	25-1235A	2	25-1235A
8	Rubber O-Ring, Quartz Sleeve	2	00-1238A	2	00-1238A
9	CRYSTAL CLEAR™ Quartz Sleeve	1	15-1051A2	1	15-1051A3
10	Head, Flared	1	25-1302A	1	25-1302A
11	Rubber O-Ring, Flared Head	1	00-0028A	1	00-0028A
12	Chamber Head Clamp	1	25-1506B1	1	25-1506B1
13	Wiper Rod Assembly	1	25-0083A	1	25-0084A
14	Sight Port Plug	1	30-1075	1	30-1075
15	Chamber	1	25-1524D1	1	25-1523E1
16	Wiper Knob	1	25-1222	1	25-1222
17	Wiper Lock Spacer	1	25-1512A1	1	25-1512A1
18	Wiper Clip	1	25-1507C1	1	25-1507C1
19	Dynamic Gland, Wiper Lock	1	25-1510C1	1	25-1510C1
20	Drain Plug	1	27-1216	1	27-1216
21	Screw, No. 8 x 3/8" long	4	50-1323	4	50-1323
22	Speed Nut, 6-32	2	50-1314	2	50-1314
23A	Surelite™ Ballast, 120v 60Hz	1	10-0137	1	10-0137
23B	Surelite™ Ballast, 220v 50Hz	1	10-0136	1	10-0136
24	Screw, Mounting	2	50-0376	2	50-0376
25	Ballast Housing	1	25-1105C	1	25-1544E
26	Pushnut	8	50-1223A	8	50-1223A
27	Welded Wiper Rod	1	25-1535A1	1	25-1536A1
28	Teflon® Wiper Segment	4	25-1241A	4	25-1241A
29	Wiper Backup Ring	2	25-1381A	2	25-1381A
30	Rivet	8	50-1300A	8	50-1300A
31A*	Power Cord 6' (120v 60Hz)	1	35-1100	1	35-1100
31B*	Power Cord 6' (220v 50Hz)	1	35-1452-R	1	35-1452-R
32	Standoff, Mounting	2	50-0375	2	50-0375

* Not depicted in drawing

All specifications, dimensional data, etc. are approximate and subject to change without notice.

SANITRON® MODELS S37C & S50C

Figure 12 - Exploded View S37C & S50C

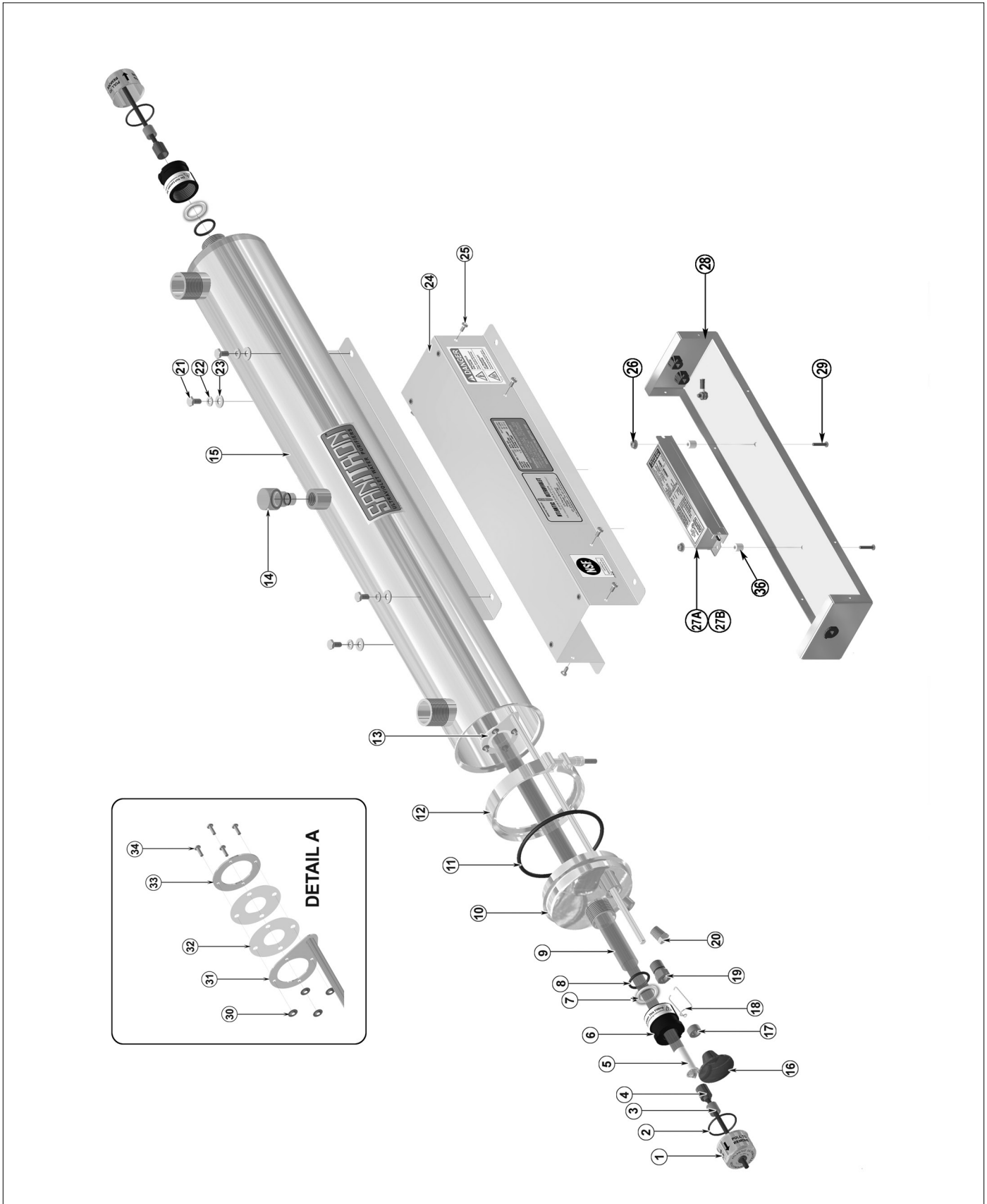


Table 7 - Replacement Parts S37C & S50C

Item No.	Description	S37C 		S50C 	
		Quantity	Part Number	Quantity	Part Number
1	EASY-OFF™ End Cap	2	25-1499A1	2	25-1499A1
2	Rubber O-Ring, Static Gland	2	00-1108B	2	00-1108B
3	Steadfast™ Lamp Spacer	2	25-0210A	2	25-0210A
4	Steadfast™ Lead Wire & Socket	2	05-1218A2-R	2	05-1218A2-R
5	STER-L-RAY® Lamp	1	05-1343-R	1	05-1334-R
6	Promate™ Static Gland Nut	2	25-1492D	2	25-1492D
7	Teflon® Washer	2	25-1235A	2	25-1235A
8	Rubber O-Ring, Quartz Sleeve	2	00-1238A	2	00-1238A
9	CRYSTAL CLEAR™ Quartz Sleeve	1	15-1051A4	1	15-1051A5
10	Head, Flared	1	25-1302A	1	25-1302A
11	Rubber O-Ring, Flared Head	1	00-0028A	1	00-0028A
12	Chamber Head Clamp	1	25-1506B1	1	25-1506B1
13	Wiper Rod Assembly	1	25-0085A	1	25-0086A
14	Sight Port Plug	1	30-1075	1	30-1075
15	Chamber	1	25-1522G1	1	25-1521F1
16	Wiper Knob	1	25-1222	1	25-1222
17	Wiper Lock Spacer	1	25-1512A1	1	25-1512A1
18	Wiper Clip	1	25-1507C1	1	25-1507C1
19	Dynamic Gland, Wiper Lock	1	25-1510C1	1	25-1510C1
20	Drain Plug	1	27-1216	1	27-1216
21	Screw, 1/4"-20 x 3/8" long	4	50-1034	4	50-1034
22	Lock Washer, 1/4"	4	50-1321	4	50-1321
23	Flat Washer 1/4"	4	50-1317	4	50-1317
24	Ballast Housing Cover	1	25-0394A	1	25-0350A
25	Screw, No. 8 x 3/8" long	8	50-1323	8	50-1323
26	Speed Nut, 6-32	2	50-1314	2	50-1314
27A	Surelite™ Ballast, 120v 60Hz	1	10-0137	1	10-0137
27B	Surelite™ Ballast, 220v 50Hz	1	10-0136	1	10-0136
28	Ballast Housing	1	25-0395D	1	25-0351B
29	Screw, Mounting	2	50-0376	2	50-0376
30	Pushnut	12	50-1223A	16	50-1223A
31	Welded Wiper Rod	1	25-1537A1	1	25-1538A1
32	Teflon® Wiper Segment	6	25-1241A	8	25-1241A
33	Wiper Backup Ring	3	25-1381A	4	25-1381A
34	Rivet	12	50-1300A	16	50-1300A
35A*	Power Cord 6' (120v 60Hz)	1	35-1100	1	35-1100
35B*	Power Cord 6' (220v 50Hz)	1	35-1452-R	1	35-1452-R
36	Standoff, Mounting	2	50-0375	2	50-0375

* Not depicted in drawing

All specifications, dimensional data, etc. are approximate and subject to change without notice.

MAINTENANCE NOTES

MAINTENANCE NOTES

USER ASSISTANCE

Atlantic Ultraviolet Corporation® makes every effort to ensure that the **SANITRON®** Ultraviolet Water Purifiers are products of superior quality and workmanship. This manual describes the installation, operation and maintenance of the **SANITRON®** Ultraviolet Water Purifiers.

Please read and become familiar with the contents of this manual before installing or using this purifier. If after reading the manual you still have questions, or concerns, regarding the installation or use of this purifier, contact our offices, weekdays between 8:30 am and 5:00 pm Eastern Time, at:

Atlantic Ultraviolet Corporation®
375 Marcus Boulevard
Hauppauge, New York, 11788
Tel: 631.273.0500
Fax: 631.273.0771
E-mail: info@ultraviolet.com
Website: Ultraviolet.com
BuyUltraviolet.com

PATENT NOTICE

No attempt has been made to determine the patent status of applications illustrated or described in this publication. Inclusion in this publication of any design or method of use, which may be patented, is not to be construed as promoting or sanctioning unauthorized use.

NSF/ANSI

NSF/ANSI 61 is a set of national standards that relates to water treatment and establishes stringent requirements for the control of equipment that comes in contact with either potable water or products that support the production of potable water. NSF/ANSI 372 was set in 2011 to establish procedures to meet the 0.25% lead content requirement of the RLDWA (Reduction of Lead in Drinking Water Act) using a wetted surface area average calculation or just simply using all no-lead materials for areas in contact with drinking water. NSF/ANSI 372 includes a broader scope of drinking water products covered by the law which may not be covered under NSF/ANSI 61 and enables large or complex products and assemblies to achieve certification.

WARRANTY & PRODUCT REGISTRATION

We warrant this product to the original owner to be free from defects in material and workmanship when installed in accordance with Atlantic Ultraviolet Corporation® specifications for a period of time as follows:

UV Water Purifier Chambers – Type 316 stainless steel chambers will have a Twelve (12) year Limited Warranty on the stainless steel chamber, from the date of original purchase while the Type 304 stainless steel chambers will have a Six (6) year Limited Warranty on the stainless steel chamber.

UV Air Disinfection Housing – Three (3) year Limited Warranty on the metal housing, from the date of original purchase.

Ballast – Three (3) year Limited Warranty, from the date of original purchase.

UV lamps and Other parts – One (1) year Limited Warranty from the date of original purchase.

Within the warranty period we shall repair or replace such products, which are returned to us with shipping charges prepaid and which are determined by us to be defective. This warranty will not apply to any product, which has been subjected to misuse, negligence or accident; or misapplied; or modified; or repaired by unauthorized person; or improperly installed. Warranty will be null and void if any of the product's original labels are removed. This Limited warranty excludes the cost of labor.

The Buyer shall inspect the product promptly after receipt and shall notify us at our main office in writing of claims, including claims of breach of warranty, within thirty (30) days after the Buyer discovers or should have discovered the facts upon which the claim is based. Failure of the Buyer to give written notice of a claim within the time period shall be deemed to be a waiver of such claim.

The provisions of the above warranty are our sole obligation and exclude all other remedies or warranties, expressed or implied, including warranties of merchantability and fitness for a particular purpose, whether or not purposes or specifications are described herein. We further disclaim any responsibility whatsoever to the customer, or to any person for injury to person, damage to, or loss of property or value caused by any product which has been subjected to misuse, negligence, accident; or modified or repaired by unauthorized persons; or improperly installed.

Under no circumstances shall the Company be liable for any incidental, consequential or special damages; losses or expenses arising from the contract for this product, or in connection with the use of, or inability to use, our product for any purpose whatsoever.

Be sure to register your product and validate purchase within 30 days — registration is simple and will take less than 2 minutes to do.

NOTE – failure to register your purchase may jeopardize warranty.

Go to Ultraviolet.com and scroll down to the bottom of the page, under “Trust” click the “Warranty Registration Form”, complete and click “Submit”. Or click on “Warranty Registration PDF” to download the warranty registration card as a PDF, complete and mail to us at 375 Marcus Boulevard, Hauppauge, NY 11788, or simply fax to 631-273-0771. If you prefer to register by phone, please call 631-273-0500 and our customer service staff will be glad to assist you.

For your convenience, record the following information below. The model and serial number can be found on a label located on the **SANITRON®** Ultraviolet Water Purifier. Keep this manual, along with proof of purchase, handy when contacting our offices.

Purchased From:	Date:
Model:	Serial No.: