

PAE Reverse Osmosis Tanks are constructed using the finest FDA approved materials available.

The water storage chamber is assembled using a virgin polypropylene liner, high-grade Chlorobutyl diaphragm and patented stainless steel water connection. In addition, every diaphragm is post cured to remove any harmful materials or chemicals prior to assembly. This ensures tasteless, odorless, and contaminant free water, so you know that when you use a PAE Reverse Osmosis Tank you only get pure pristine water when filling your glass!

With regards to structural integrity, deep drawn steel domes and precision weld seams give PAE Reverse Osmosis Tanks unparalleled reliability. To be sure, PAE Reverse Osmosis Tanks are quality tested at multiple stages in the production process to ensure the structural integrity of every tank. In addition PAE Reverse Osmosis Tanks are built with sealed brass air valves and o-ring sealed air valve caps to ensure leak-free air chambers. This means no more checking air precharge and makes PAE Reverse Osmosis Tanks maintenance free!

Reverse Osmosis Tank



FEATURES

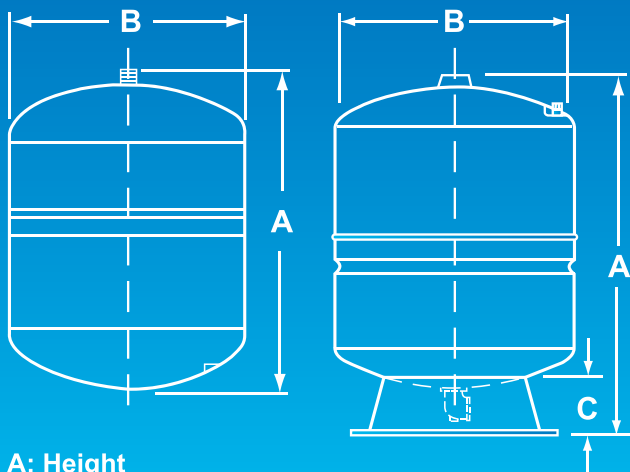
- ◆ Patented stainless steel water connection.
- ◆ High-grade Chlorobutyl diaphragm
- ◆ Virgin polypropylene liner
- ◆ Smooth internal construction prevents diaphragm abrasion damage
- ◆ Two part epoxy primer, polyurethane paint finish
- ◆ NSF58 approved
- ◆ CE approved
- ◆ Comprehensive testing.
- ◆ Maintenance free

MODEL NO.	Dimensions						Volume		Shipping (box) Volume		Shipping (box) Weight	
	HEIGHT (A)		DIAMENTER (B)		BASE (C)							
	cm	inch	cm	inch	cm	inch	liter	gal	CBM	Cuft	Kgs	lbs
Vertical Models Model RO-1070 ~ TP-150 1" BSPP Elbow with 1/4" NPT plastic extension												
RO-105	20.0	7.9	12.6	5.0			2	0.5	0.0037	0.13	0.88	1.94
TP - 4	24.2	9.5	16	6.3			4	1	0.0075	0.265	1.58	3.48
RO-120	31.7	12.7	20.3	8.1			8	2	0.016	0.55	2.23	4.92
RO-122	36.6	14.6	24.4	9.8			12	3.2	0.02	0.72	2.82	6.22
RO-132	36.8	14.7	27.9	11.2			18	4.4	0.03	1.03	3.65	8.05
RO-152	39	15.6	29	11.6			21	5.5	0.036	1.3	4.73	10.40
TP - 35	53.8	21.2	31.8	12.5	4.5	1.7	35	9.2	0.056	1.93	7.16	15.79
RO-1070	62.6	25	38.9	15.5	10.4	4.2	60	14	0.09	3.3	10.66	23.50
RO-2000	79	31.6	38.9	15.5	10.4	4.2	80	20	0.13	4.5	14.45	31.86
TP - 100	80.4	31.6	43	16.9	12.9	5	100	28	0.16	5.7	18.93	41.73
TP - 150	106.5	41.9	43	16.9	12.9	5	150	40	0.21	7.4	26.75	58.86
Plasteel Models Model TP-12P ~ TP-19P is available in Plasteel version (steel tank clad in plastic shell)												
TP - 12P	36.4	14.3	24	9.4			12	3.2	0.02	0.8	3.64	8.02
TP - 16P	37.2	14.6	25	9.8			16	4.2	0.028	0.98	4.00	8.82
TP - 19P	40.1	15.8	28	11			19	5	0.036	1.3	4.32	9.52

◆ Maximum temperature: 40°C/104°F

◆ Maximum working pressure: 100 psi

◆ The volume above is total capacity, not the water storage volume.



A: Height
B: Diameter
C: Base

